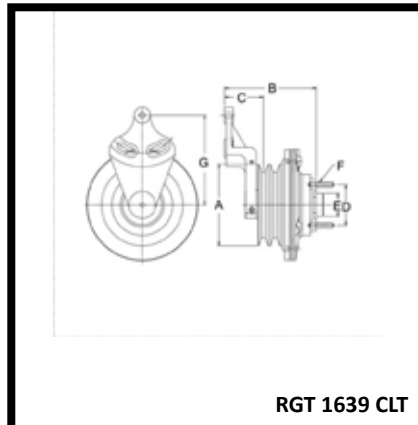


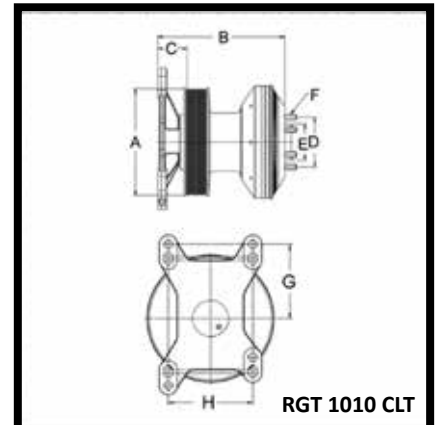
RGT 1638 CLT

793016 – CLUTCH FAN -HORTON AIR CLUTCH/HUB



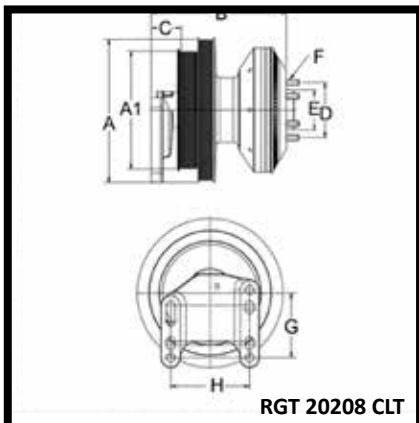
RGT 1639 CLT

793016 – CLUTCH FAN -HORTON AIR CLUTCH/HUB



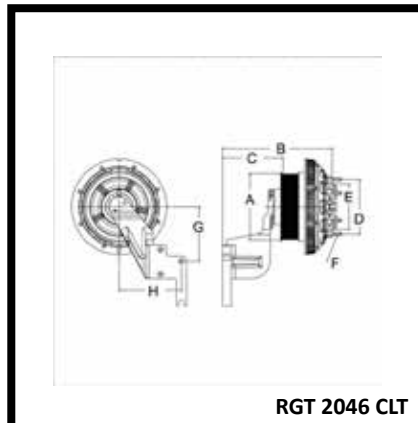
RGT 1010 CLT

79A5064 – CLUTCH FAN – HORTON AIR CLUTCH/HUB



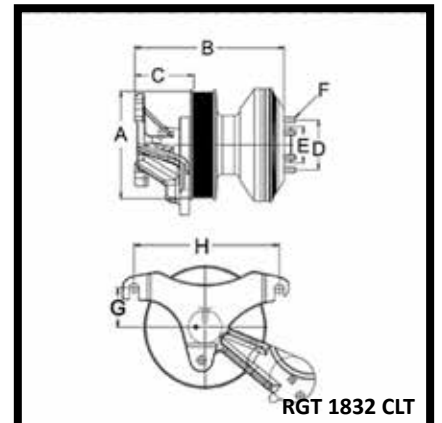
RGT 20208 CLT

79A5074 – CLUTCH FAN – HORTON AIR CLUTCH/HUB



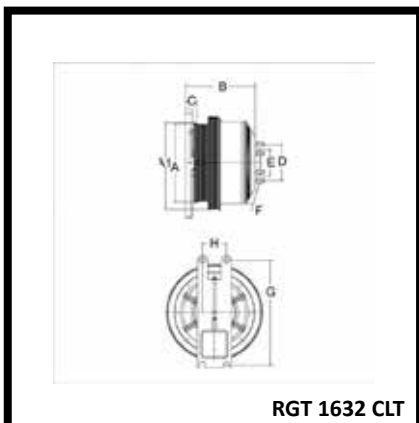
RGT 2046 CLT

79A5088-2 – CLUTCH FAN 2 SPEED – HORTON AIR CLUTCH/HUB



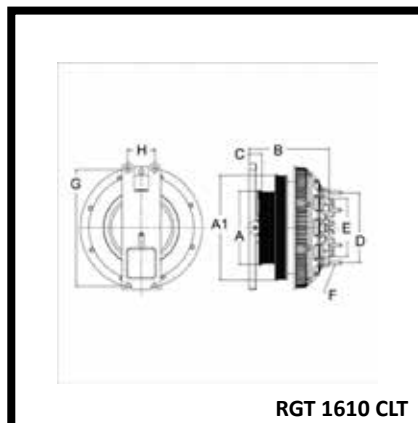
RGT 1832 CLT

79A5223 – CLUTCH FAN – HORTON AIR CLUTCH/HUB



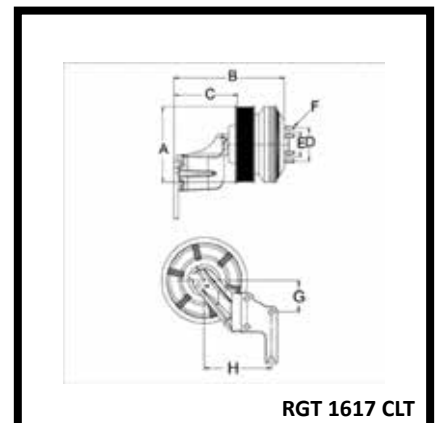
RGT 1632 CLT

BT HEAVY INDUSTRIAL SERIES 5 A 79A5223 – CLUTCH FAN – HORTON AIR CLUTCH/HUB LED



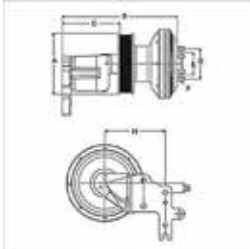
RGT 1610 CLT

79A5223 – CLUTCH FAN – HORTON AIR CLUTCH/HUB



RGT 1617 CLT

79A5324 – CLUTCH FAN – HORTON AIR CLUTCH/HUB



RGT 1884 CLT

79A5512 – CLUTCH FAN – HORTON  
AIR CLUTCH/HUB



RGT 1889 CLT

702300006044 – HORTON AIR  
CLUTCH/HUB



RGT 1897 CLT

KIT DOUBLE BEARING KYSOR



RGT 1946 CLT

702300006042 – HORTON AIR  
CLUTCH/HUB



RGT 2046 CLT

702300006042 – HORTON AIR  
CLUTCH/HUB



RGT 2049 CLT

702300003082 – HORTON AIR  
CLUTCH/HUB



RGT 1849 CLT

MAJOR REPAIR KIT HTS



RGT 1999 CLT

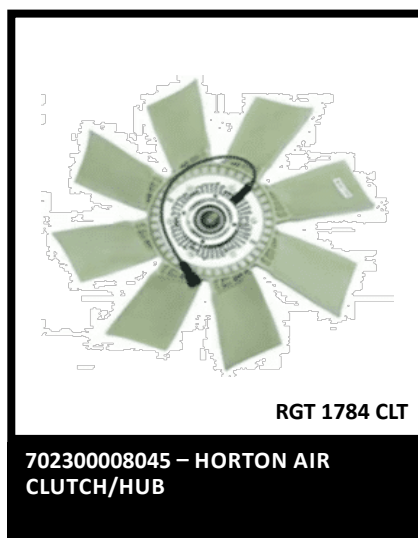
702300003132 – HORTON AIR  
CLUTCH/HUB



RGT 2041 CLT

702300003132 – HORTON AIR  
CLUTCH/HUB







RGT 1766 CLT

702300002082 – HORTON AIR  
CLUTCH/HUB



RGT 1689 CLT

702300002061 – HORTON AIR  
CLUTCH/HUB